

UBC PRECISION BEARINGS MANUFACTURING CO., LTD.



# Çelikhane & Haddehane Çözümleri

Discover **UBC**



# UBC PRECISION BEARINGS MANUFACTURING CO., LTD.



Discover  
**UBC** Global Brand, Global Strategy



Giriş



Üretim serilerimiz



Teknik destek



UBC'yi keşfedin





## ❖ BİLYALI RULMANLAR

- ❖ SABİT BİLYALI RULMANLAR
- ❖ EĞİK BİLYALI RULMANLAR
- ❖ EKSENEL RULMANLAR

## ❖ MASURALI RULMANLAR

- ❖ SİLİNDİRİK MASURALI RULMANLAR (RADYAL/EKSENEL)
- ❖ KONİK MASURALI RULMANLAR
- ❖ KÜRESEL MASURALI RULMANLAR (RADYAL/EKSENEL)

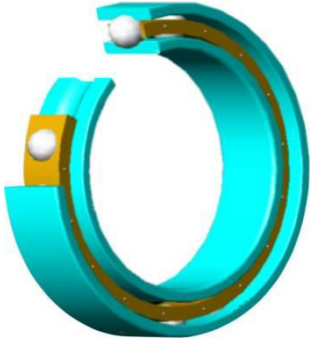
## ❖ İĞNE MASURALI RULMANLAR

## ❖ TABAN RULMANLARI

## ❖ YATAKLI RULMANLAR, MANŞONLAR

## ❖ DÖNER TABLALAR (TARET RULMANLARI)





Tek sıra sabit  
bilyalı rulmanlar



Oynak bilezikli silindirik  
makaralı rulmanlar



Çift sıra konik  
makaralı rulmanlar



Çift sıra konik  
makaralı rulmanlar

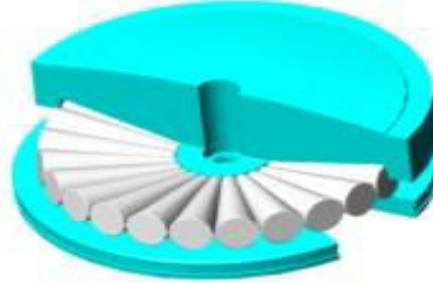
# U B C'nin mühendislik tasarımı ürünleri



Dört sıralı konik  
makaralı rulmanlar  
TQO Montajlı



Dört sıralı silindirik  
makaralı rulmanlar



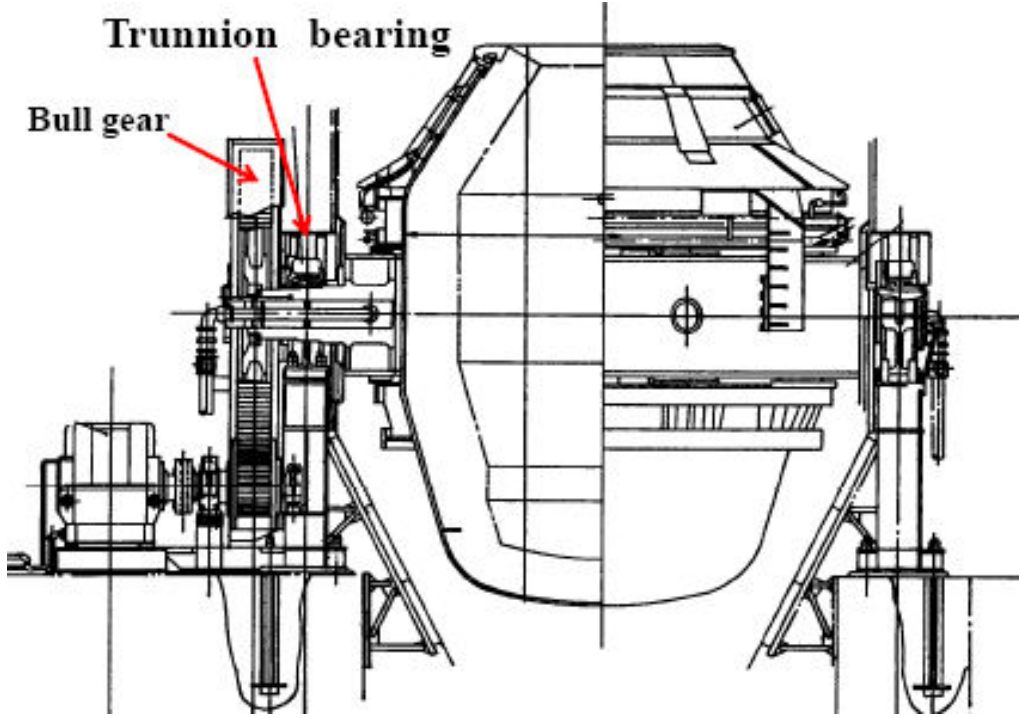
Aşırı ağır yükler için konik  
masuralı rulmanlar



Çift yönlü konik makaralı  
eksenel rulmanlar



## CONVERTER



### Muylu yatađı;

#### Standart Dizayn;

Büyük ölçülerde  
KÜRESEL MAKARALI  
Rulman

#### Yeni Dizayn;

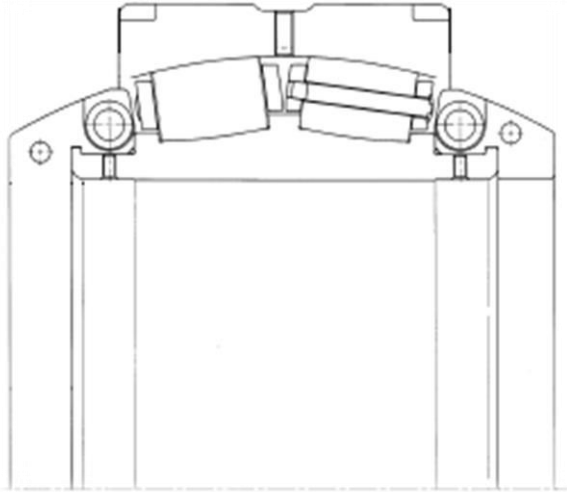
Büyük ölçülerde  
**İKİ PARÇAYA AYRILABİLEN**  
KÜRESEL MAKARALI  
Rulman



## ÇOK BÜYÜK BOYUTLU İKİ PARÇAYA AYRILABİLEN KÜRESEL RULMAN

### Özellikler

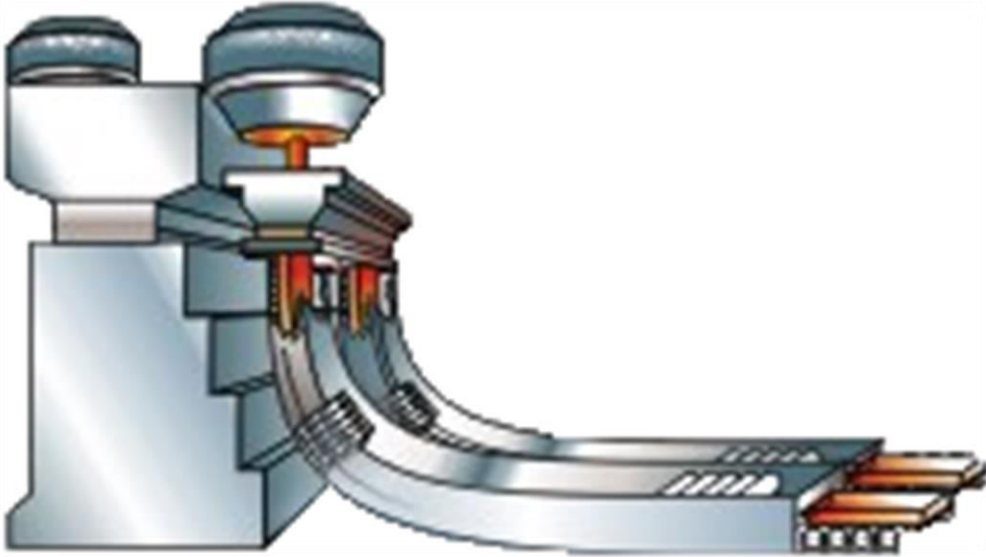
- İki parça olarak dizayn edilmiş dış bilezik
- Dış bileziğin dönüşünü engelleyen yapı
- Split face of Clamping ring
- Clamping ring outside face
- Grinding Stock of Clamping ring
- Kilitleme pimi
- Inner ring inside surface
- O-ringler için iç bilezikte bulunan oluklar
- Masuranın yuvarlanma yoluyla tam teması
- Güçlendirilmiş pim geçmeli kafes yapısı



İç çap	: 750.00 mm
Dış Çap	: 1090.00 mm
Genişlik (B1/H)	: 250.00 mm / 395.00 mm
Toplam ağırlık	: 1150.00 kg



## Devamlı Döküm Makinesi



### DÖNER KEPÇE RULMANI

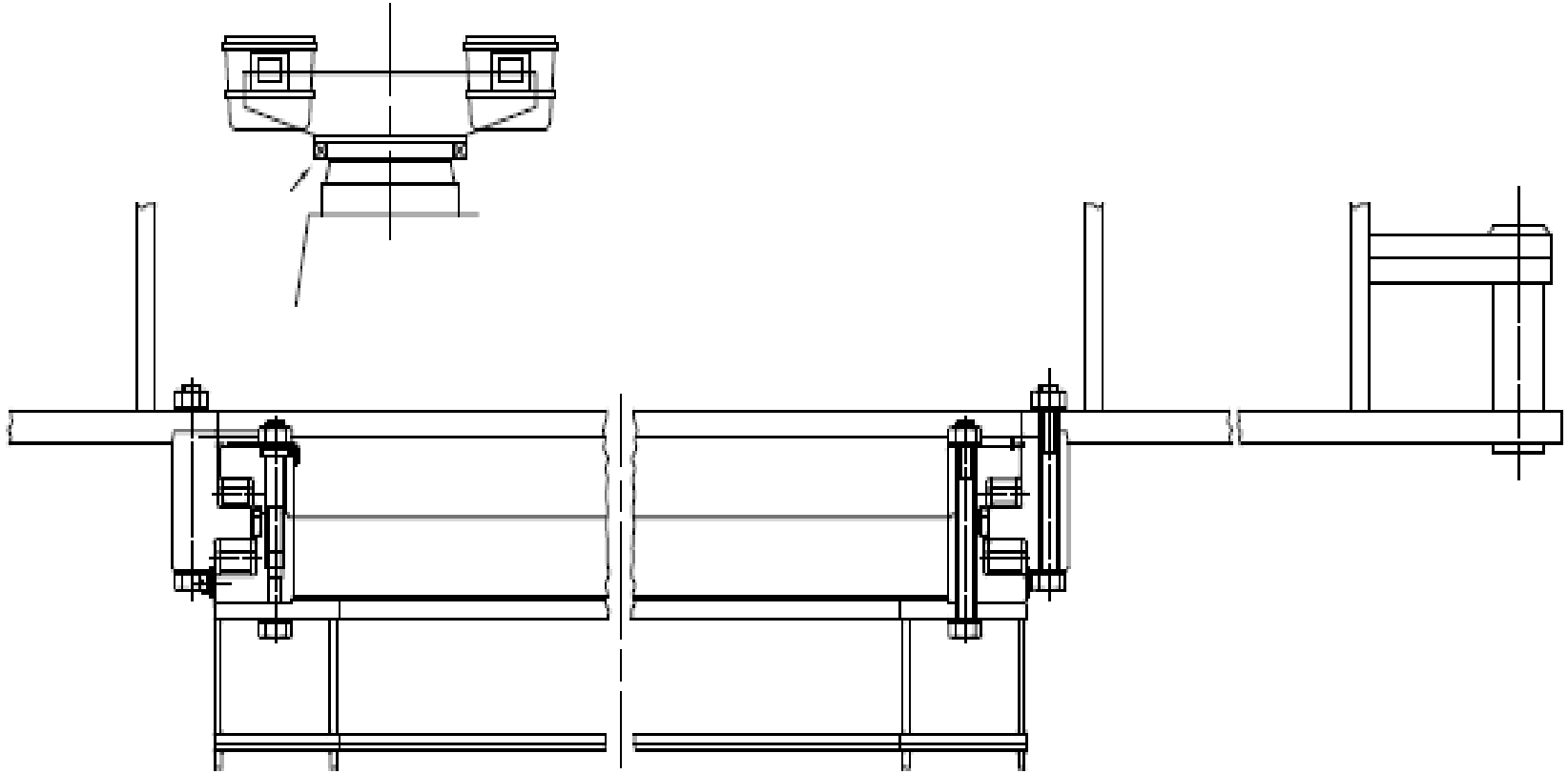
- ÜÇ SIRA SİLİNDİRİK MASURALI TARET RULMANI (Sleeving Ring)

### YOLLUK RULMANLARI

- KÜRESEL MASURALI RULMANLAR(E SERIES)
- OYNAK MAKARALI SİLİNDİRİK RULMANLAR

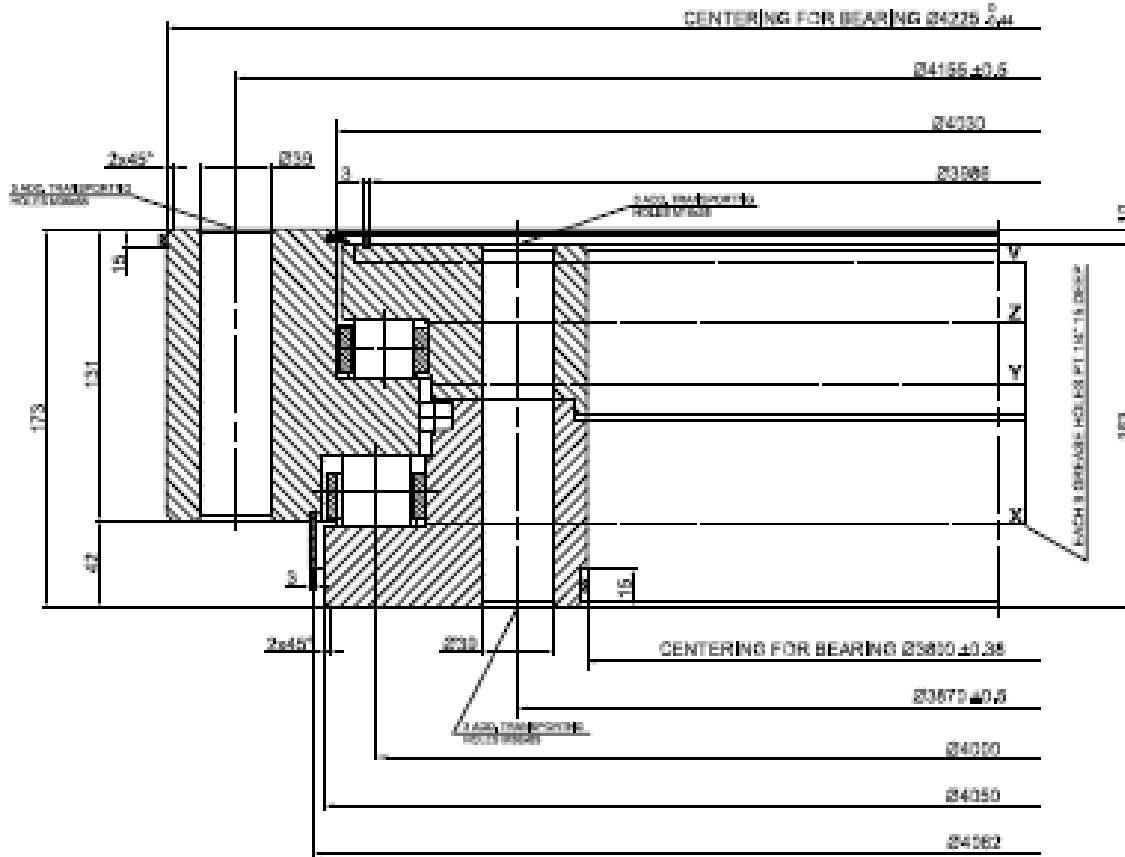


## DÖNER KEPÇE RULMANI





## Üç sıralı silindirik makaralı döner tabla rulmanı



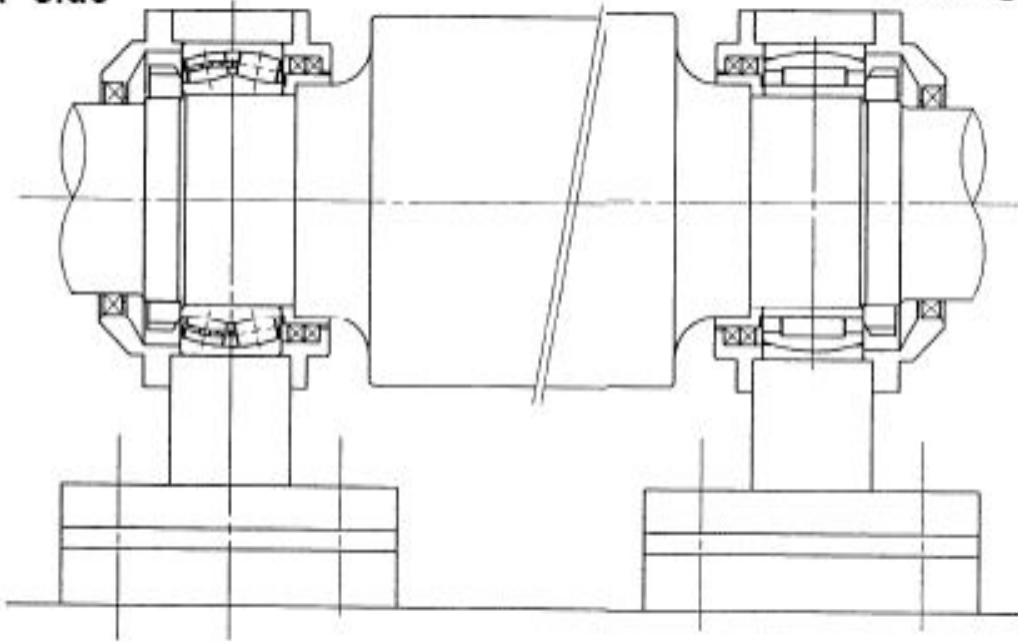
## HADDE TEZGAH RULMANLARI

Fixed side

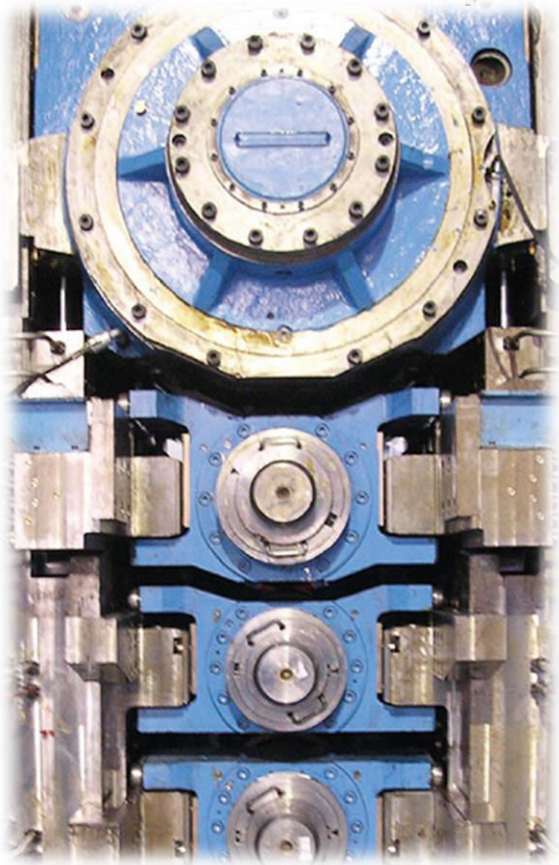
Floating side

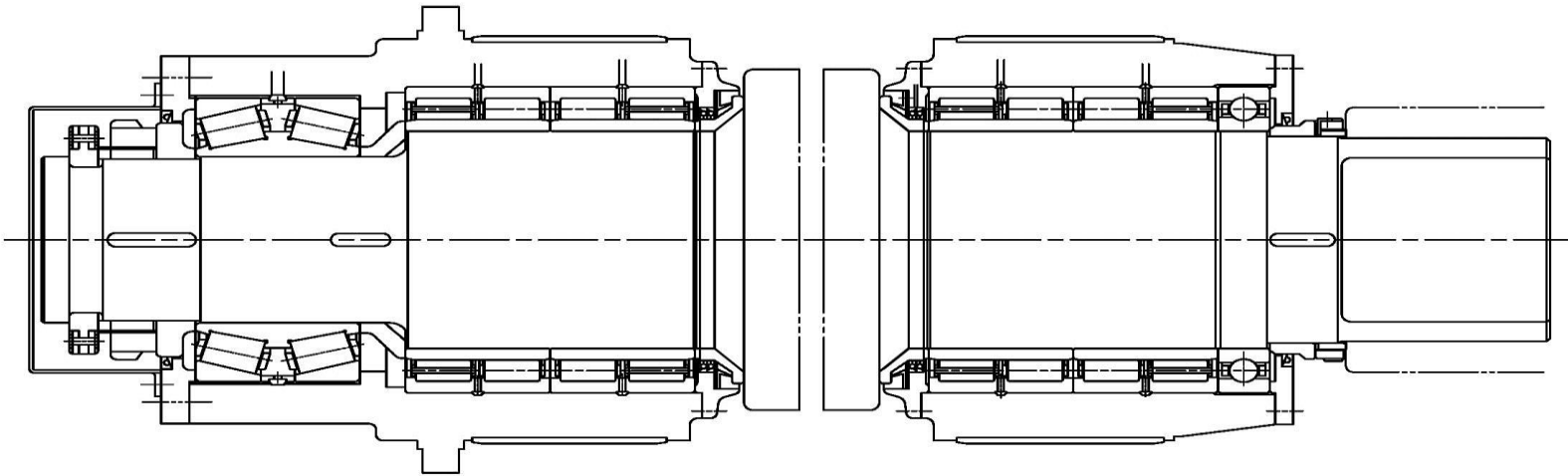
KÜRESEL MAKARALI RULMANLAR

- 24044CC.W33.C3
- 24040CC.W33.C3



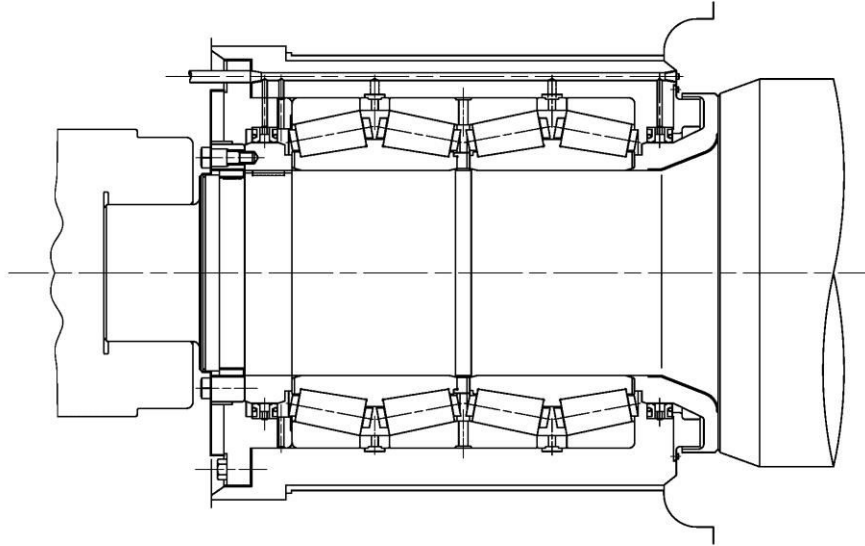
# UBC PRECISION BEARINGS MANUFACTURING CO., LTD.





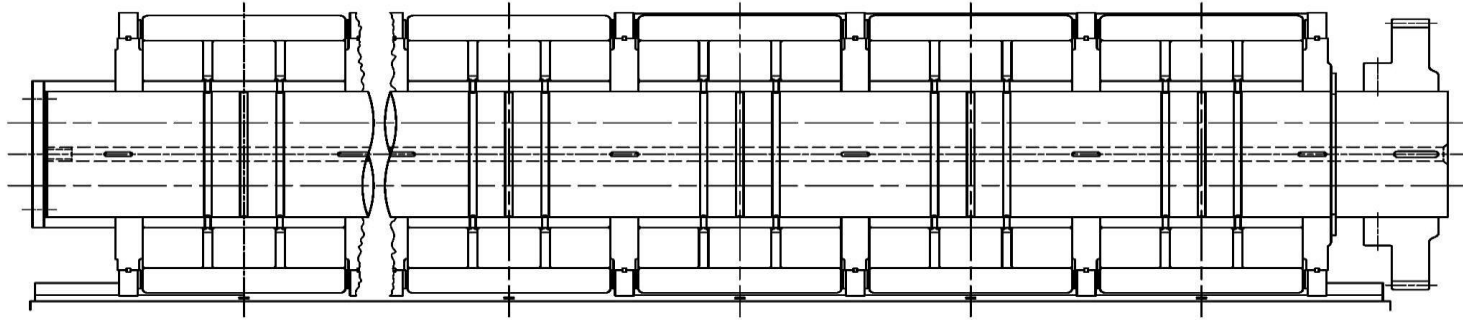
## Radyal ve Eksenel rulmanların kombinasyonu





# Dört Sıra Konik Makaralı Rulman TQO Montajlı





# Senzimir Rulman Ünitesi





# UBC PRECISION BEARINGS MANUFACTURING CO., LTD.

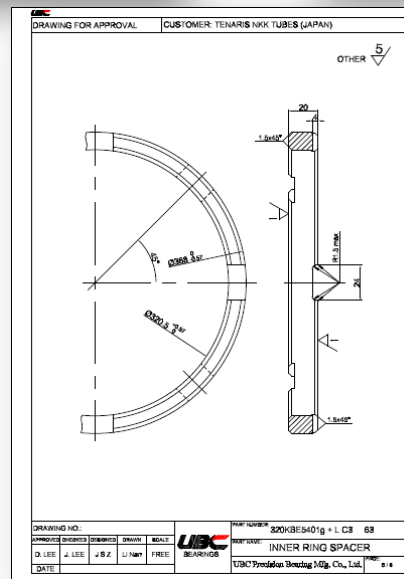
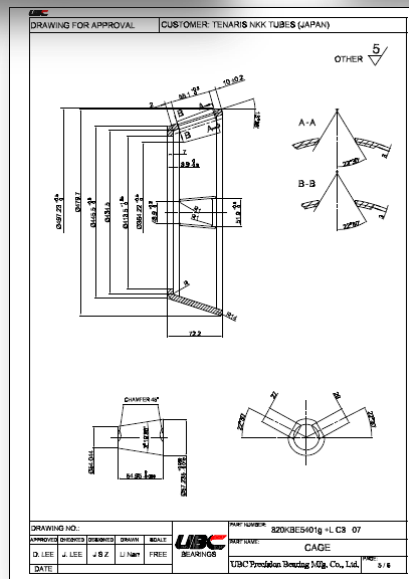
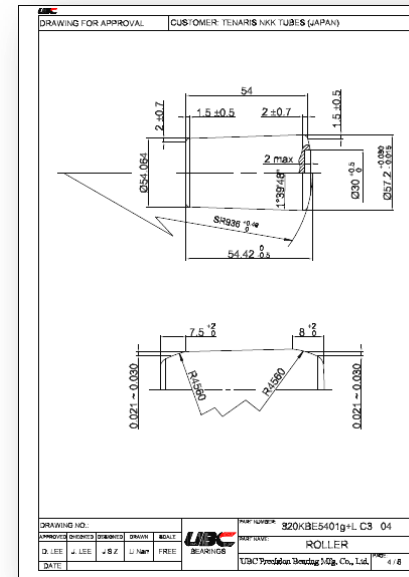
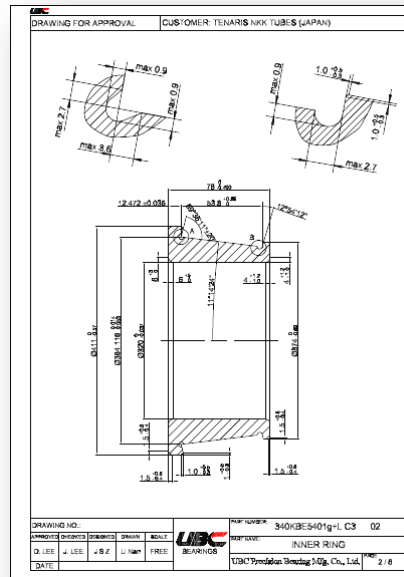
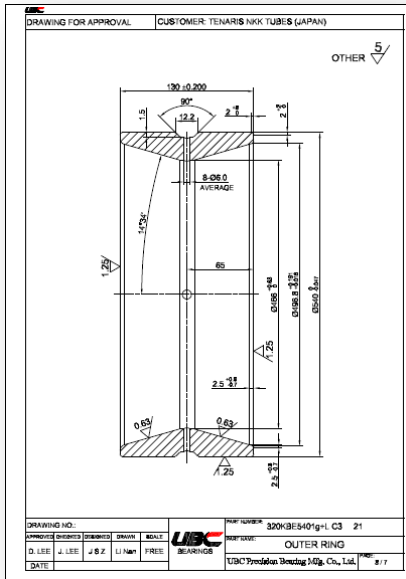


	APPROVAL BY: _____		CUSTOMER: _____	
	DATE: Mar. 26. 2007			
	APPLICATION:			
	ROTATIONAL SPEED		FITTING	CUSTOMER
	RADIAL LOAD		MSD	RECOMMEND
	AXIAL LOAD		MSD	CUSTOMER
	AMBIENT TEMPERATURE		MSD	RECOMMEND
	LUBRICANT		LUBRICATION	
CAGE	2	08 Al		
CONE SPACER	1	40		
ROLLER	2 x 22	G20C/2Ni4		
SINGLE CONE	2	G20C/2Ni4		
DOUBLE CUP	1	G20C/2Ni4		
DESCRIPTION	QTY	MATERIAL	REMARKS	
ACCURACY	I. R.	O. R.	HARDNESS	
RADIAL RUNOUT	0.070	0.100	INNER RING 58 ~ 63 HRC	
SIDE RUNOUT WITH BORE			OUTER RING 58 ~ 63 HRC	
AXIAL RUNOUT			BALL ROLLER 58 ~ 64 HRC	
OUTSIDE CYL. SURFACE RUNOUT WITH SIDE				
WIDTH VARIATION				
DIAMETER VARIATION	0.028	0.038		
WEIGHT VARIATION	0.023	0.029		
RADIAL INTERNAL CLEARANCE				
AXIAL INTERNAL CLEARANCE			0.538 ~ 0.808 mm	
BASIC DYNAMIC LOAD RATING, C <sub>r</sub>			2570.0 kN	
BASIC STATIC LOAD RATING, C <sub>w</sub>			4630.0 kN	
	Fa/Fr≤	Fa/Fr>e	e	
RADIAL FACTOR (X)				
AXIAL FACTOR (Y)				
PART NUMBER				
320KBE5401+L				
PART NAME				
DOUBLE ROW TAPER ROLLER BEARING				
APPROVED	CHECKED	DESIGNED	DRAWN	
		J S Z	Li Nan	
SCALE	FREE	UNIT	mm	
		WEIGHT (APPROX.)	143.0 kg	
DRAWING NO.			PAGE	





# UBC PRECISION BEARINGS MANUFACTURING CO., LTD.



# UBC PRECISION BEARINGS MANUFACTURING CO., LTD.

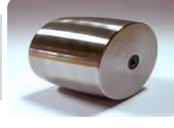


## UBC Engineering Solutions



### MALZEME SEÇİMİ

- G20Cr2Ni4
- GCr15SiMn
- GCr15



### KUSURSUZ EĞİMLİ MASURALAR



### DÜZENLİ KONTROL



### PAKETLEME

- DOĞRU ve KOLAY MONTAJ İÇİN DÜZGÜN MARKALAMA
- TEMİZLİK



### YAĞLAMA



### TEKNİK YARDIMCI

- YATAKLAMA YERİ ANALİZİ
- MİL ANALİZİ

Discover **UBC**



# UBC PRECISION BEARINGS MANUFACTURING CO., LTD.



# UBC PRECISION BEARINGS MANUFACTURING CO., LTD.



# UBC PRECISION BEARINGS MANUFACTURING CO., LTD.

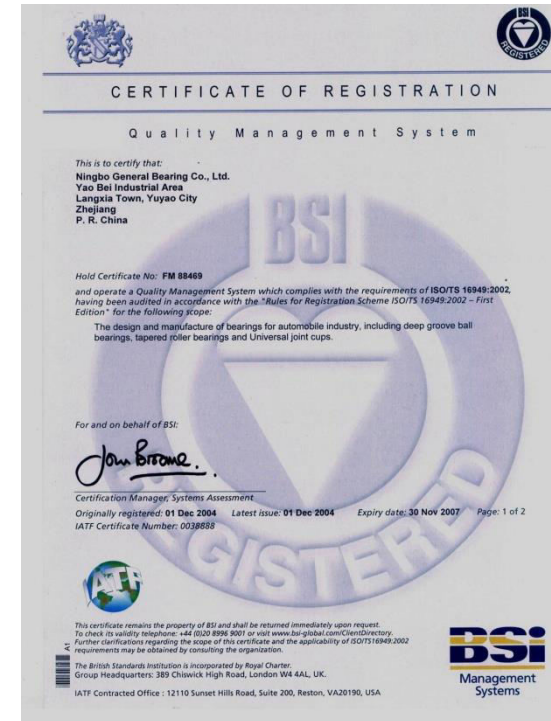


R  
E  
F  
E  
R  
E  
N  
C  
E

Date Ordered	Date Delivered	Destination	Customer	UBC Bearing Part Number	Other Manufacturer	Q'ty.	Material
17-Aug-06	23-Dec-06	Monterrey, Mexico	Hylsa S.A. de C.V.	EE275106DW / 275155 / 275156D	TIMKEN EE-275106D ASSY. 9115 KOYO EE275106DWH/55H/560HCS55 TORRINGTON 105TQO496BA244HI NSK 266KV3951GS3	5 sets	Case Carburized Steel (G20Cr2Ni4)
15-Nov-06	15-Mar-07	Puebla, Mexico	Hylsa S.A. de C.V.	313839 C4	FAG 507333	4 sets	Case Carburized Steel (G20Cr2Ni4)
				B220-2 CN	FAG 507335	2 sets	Thru-Hardened Steel (GCr15)
				313824 C4	FAG 508827	4 sets	Case Carburized Steel (G20Cr2Ni4)
				L313839	FAG L507333	8 sets	Case Carburized Steel (G20Cr2Ni4)
11-Jul-06	20-Oct-07	Monterrey, Mexico	Hylsa S.A. de C.V.	BC4B-635122 /C4 Steel Cage	FAG 510440-A	8 sets	Thru-Hardened Steel (GCr15)
28-Jul-06	18-Dec-06	Ontario, Canada	Algoma Tubes, Inc.	M255449DW / M255410 / M255410D	FAG 802228	4 sets	Case Carburized Steel (G20Cr2Ni4)
25-Sep-06	18-Dec-06	Ontario, Canada	Algoma Tubes, Inc.	22232CCK C3 /W33	FAG 22232CCK C3 /W33	10 sets	Thru-Hardened Steel (GCr15)
13-Nov-06	6-Jun-07	Salaj, Romania	Tenaris SilicoTub	T-36060M C08	TIMKEN TQO 36060M C08	4 sets	Case Carburized Steel (G20Cr2Ni4)
	6-Jun-07			T-36452M P6 C08	TIMKEN TQO 36452M P6 C08	4 sets	Case Carburized Steel (G20Cr2Ni4)
4-Oct-06	5-Apr-07	Ramallo, Argentina	Siderar	M274149D / M274110 / M274110D	TIMKEN M274149D ASSY 901A4	2 sets	Case Carburized Steel (G20Cr2Ni4)
12-Apr-07	20-Sep-07	Ramallo, Argentina	Siderar	500KV80gS3	NSK 500KV80g4S3	2 sets	Case Carburized Steel (G20Cr2Ni4)
17-May-07	10-Sep-07	Ramallo, Argentina	Siderar	LM761649DW/LM761610/LM761610D	TIMKEN LM761649DW ASSY 902E1	4 sets	Case Carburized Steel (G20Cr2Ni4)
23-May-07	20-Sep-07	Ramallo, Argentina	Siderar	NNU49/530AEg4CCG350DR	NSK NNU49/530AE64CCG350DR	2 sets	Case Carburized Steel (G20Cr2Ni4)
7-Dec-06	2-Jul-07	Campana, Argentina	Tenaris Siderca	H244849D / H244810	TIMKEN H244849D / H244810	4 sets	Thru-Hardened Steel (GCr15SiMn)
				M249748D/ M249710/ M249710D	FAG 331275A	4 sets	Case Carburized Steel (G20Cr2Ni4)
				36690 / 36620D	TIMKEN 36690 / 36620D	10 sets	Thru-Hardened Steel (GCr15)
6-Dec-06	21-Jun-07	Estado Bolivar, Venezuela	Sidor	32220 T140 J2-DB11	SKF 32220 T140 J2-DB11	40 sets	Thru-Hardened Steel (GCr15)



# UBC PRECISION BEARINGS MANUFACTURING CO., LTD.



# UBC PRECISION BEARINGS MANUFACTURING CO., LTD.



**WIT ASSESSMENT**

**CERTIFICATE OF REGISTRATION**  
*This is to certify that the Management System established by*

**UBC Haining Shangtong Bearing Co., Ltd.**

501 Danfeng Road, Haining Development Zone, Haining, Zhejiang, P.R.China

Has been assessed to comply with the requirements of the international standard

**ISO9001:2000**

Scope of certification

Production and Service of the Bearing Ring

NO:15/04Q5261R11 DATE OF ISSUE: APR.12, 2004 VALID UNTIL: MAY.11, 2006

**CNAB** Accredited by Member of the IAF MLA to QMS  
 WIT Assessment President, TongJiShan

Further Certifications Regarding the Scope of this Certificate and the Applicability of ISO9001:2000 Requirements May be Obtained by Consulting the Organization.

**nqa global assurance**

This is to certify that the Quality Management System of  
**UBC (Shanghai) Bearing Co.,Ltd.**  
**UBC (Shanghai) Precision Bearing Manufacturing Co., Ltd.**  
 179 South Riving Road, Wai Gao Qiao Free Trade Zone, Shanghai, China  
 1128 Denghui Road, Minhang District, Shanghai, China

applicable to  
**Wholesale and Distribution of Bearings (TIMKEN, INA, FAG, NSK, NTN), Oil Seals, Hydraulic Parts and Belts, Production and Sale of UBC Brand Bearings**

has been assessed and registered by National Quality Assurance Limited against the provisions of ISO 9001:2000

This registration is subject to the company maintaining a quality management system, to the above standard, which will be monitored by NQA. Please consult the website: www.nqa.com.cn

Certificate Number: 16398  
 Date: 29 July 2003  
 Reissue Date: 26 July 2006  
 Valid Until: 26 July 2009  
 EAC Code: 18/29

**UKAS** Quality Management  
 015

*Certificate of Registration*

This certificate is the property of National Quality Assurance Limited and must be retained on request.  
 The use of the UKAS accreditation mark indicates accreditation in respect of those activities covered by the accreditation certificate held by National Quality Assurance Ltd.  
 National Quality Assurance Ltd is registered in England, Registration No. 1228165. Registered Office: Newark House, Highgate Road, Northgate, Newcastle, Tyne and Wear, NE1 5LJ.  
 A member of the NQA Group of Companies.

**ISO9001**

**Guangdong Zhongjian Certification Co., Ltd.**  
 (Former: Guangdong Audit and Certification Centre of Quality System)

**CERTIFICATE OF CONFORMITY OF QUALITY MANAGEMENT SYSTEM CERTIFICATION**  
 No: 00704Q10266R1M

This is to certify that the quality system of  
**TC BEARING MANUFACTURING CO., LTD.**  
 NO.138 QINGXI ROAD, ZHONGSHAN, GUANGDONG, CHINA  
 P.C. : 528402

is in conformity with  
**GB/T19001-2000 – ISO9001:2000 Standard**  
 This system is valid for the  
**DESIGN, PRODUCTION AND SERVICE OF VARIOUS ROLLING BEARING**

DATE OF ISSUE: 2004-2-17  
 Term of validity of this certificate: from 2004-2-17 to 2007-2-16 inclusive  
 (Pass surveillance audit on the 9<sup>th</sup>, 16<sup>th</sup> and 26<sup>th</sup> month)

Approval of the first surveillance audit: Zhongjian Certification Co., Ltd.  
 Approval of the second surveillance audit: Zhongjian Certification Co., Ltd.  
 Approval of the third surveillance audit: Zhongjian Certification Co., Ltd.

**CNAB** ACCREDITED BY MEMBER OF THE IAF MLA FOR QMS  
 Registration Number: CNAB007-Q

Representative of The Company

Further to the certificate applicability, please enquire to the organization, contact 020-87399521 or visit [www.zhongjian.com.cn](http://www.zhongjian.com.cn) for enquiry





Sizin için ne  
yapmamızı  
istersiniz?







谢谢您

ありがとう

Thank you

Gracias

Grazie

Obrigado

Danke

Merci

Salamat po

Terimaka sih

당신을 감사하십시오

Go raibh maith agaibh

Tack

By

Shukriya (Nandri)

Dankie

Multumesc

Hvala

Dakujem

Khawp khun

Cám ón

Dziekuje

Tesekkurler

